

# SC12MLX MBP Compressor R404A/R507 115V 60Hz



## General

Code number	104L1606
Approvals	UL984
Compressors on pallet	60

## Application

Application	MBP			
Frequency	Hz	50	60	
Evaporating temperature	°F	-	-10 to 45	
Voltage range	V	-	95 - 135	
Max. condensing temperature continuous (short)	°F	-	131 (140)	
Max. winding temperature continuous (short)	°F	-	257 (275)	

## Cooling requirements

Frequency	Hz	50			60		
Application		LBP	MBP	HBP	LBP	MBP	HBP
90°F		-	-	-	-	F <sub>2</sub>	-
100°F		-	-	-	-	F <sub>2</sub>	-
110°F		-	-	-	-	F <sub>2</sub>	-
Remarks on application:							

## Motor

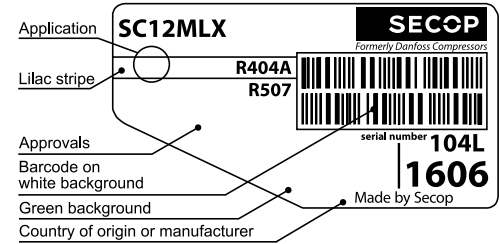
Motor type	CSIR		
LRA (rated after 4 sec. UL984), HST   LST	A	53.0	-
Cut in Current, HST   LST	A	53.0	-
Resistance, main   start winding (77°F)	Ω	0.7	2.9

## Design

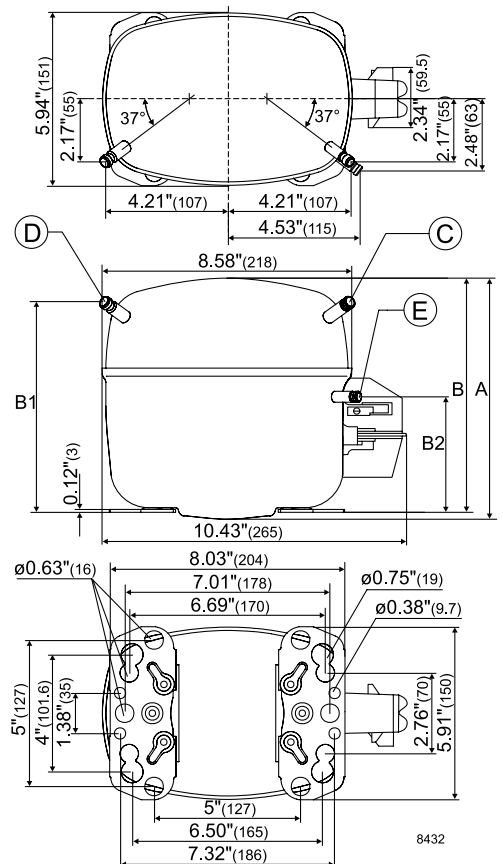
Displacement	cu.in	0.78
Oil quantity (type)	fl.oz.	20.3 (polyolester)
Maximum refrigerant charge	oz.	45.5
Free gas volume in compressor	fl.oz.	49.4
Weight without electrical equipment	lbs.	30.2

## Dimensions

Height	inch	A	8.62
		B	8.39
		B1	7.60
		B2	4.33
Suction connector	location, I.D. in.   angle	C	0.320-0.327   37°
	material   comment		Cu-plated steel   Al cap
Process connector	location, I.D. in.   angle	D	0.252-0.259   37°
	material   comment		Cu-plated steel   Al cap
Discharge connector	location, I.D. in.   angle	E	0.252-0.259   37°
	material   comment		Cu-plated steel   Al cap
Oil cooler connector	location, I.D. in.   angle	F	-
	material   comment		-
Remarks:			



- S = Static cooling normally sufficient
- O = Oil cooling
- F<sub>1</sub> = Fan cooling 1.5 m/s (compressor compartment temperature equal to ambient temperature)
- F<sub>2</sub> = Fan cooling 3.0 m/s necessary
- SG = Suction gas cooling normally sufficient
- = not applicable in this area



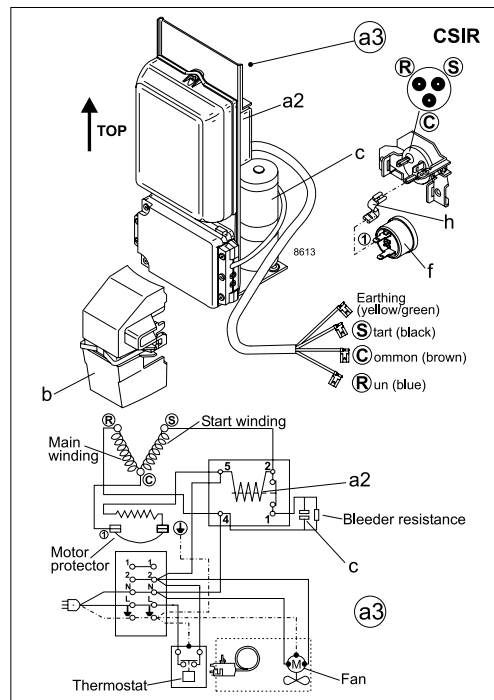
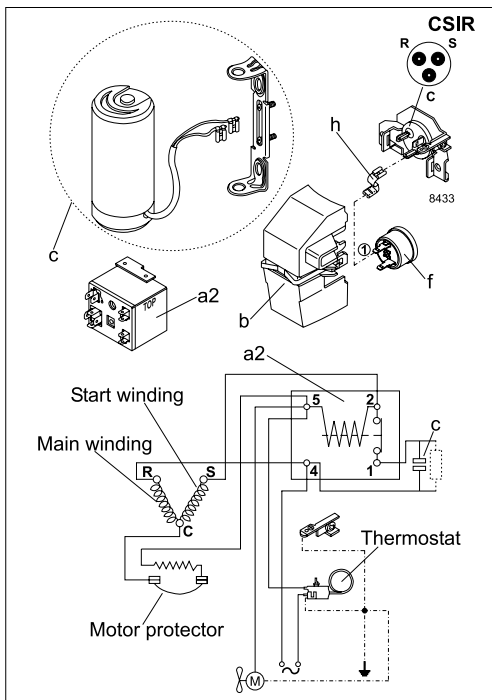
**ASHRAE MBP**

115V, 60Hz, fan cooling F<sub>2</sub>

Evap. temp. in °F	-49	-40	-30	-20	-13	-10	0	10	14	20	30	40	41	45	50	59	68
Capacity in BTU/h							1987	2640	3435	3797	4391	5527	6865	7011	7616		
Power cons. in W							581	676	770	808	865	960	1058	1067	1107		
Current cons. in A							7.93	8.50	9.13	9.40	9.83	10.58	11.39	11.48	11.82		
EER in BTU/Wh							3.42	3.90	4.46	4.70	5.08	5.76	6.49	6.57	6.88		

**EN 12900 Household (CECOMAF)\*** 115V, 60Hz, fan cooling F<sub>2</sub>

Evap. temp. in °F	-49	-40	-30	-20	-13	-10	0	10	14	20	30	40	41	45	50	59	68
Capacity in W							668	780	978	1211	1387	1484	1799	2160	2335		
Power cons. in W							590	633	698	765	810	834	906	982	1017		
Current cons. in A							7.94	8.19	8.62	9.09	9.43	9.62	10.19	10.81	11.10		
COP in W/W							1.13	1.23	1.40	1.58	1.71	1.78	1.99	2.20	2.30		



Accessories for	SC12MLX	Figure	Code number
Starting device assembly			
CSR	23.6 in. cable length	a3	-
CSIR	23.6 in. cable length		117-7053
Starting device components			
Starting relay	1/4 in. spade connect.	a2	117-7441
Start. capacitor 410 µF	1/4 in. spade connect.	c	117U5042
Run capacitor 23.5 µF	1/4 in. spade connect.	e	-
Cover		b	117U1021 *)
Protector		f	117U3212 *)
Protector holder		h	117U0439 *)
*) Remarks: Cover, protector, protector holder parts of compressor			

Test conditions	ASHRAE MBP	EN 12900/CECOMAF*
Condensing temp.	130°F	113°F
Ambient temperature	95°F	90°F
Suction gas temp.	95°F	90°F
Liquid temperature	115°F	no subcooling

Mounting accessories		Code number
Bolt joint for one comp.	Ø: 5/8 in.	118-1917
Bolt joint in quantities	Ø: 5/8 in.	118-1918
Snap-on in quantities	Ø: 5/8 in.	118-1919

Danfoss can accept no responsibility for possible errors in catalogues, brochures and other printed material. Danfoss reserves the right to alter its products without notice. This also applies to products already on order provided that such alterations can be made without substantial changes being necessary in specifications already agreed. All trademarks in this material are property of the respective companies. Danfoss and the Danfoss logotype are trademarks of Danfoss A/S. All rights reserved.