

NL10FT

Tropical Compressor

R134a

220-240V 50Hz

Data Sheet (Replaces CG.43.I2.02)

General

Compressor	NL10FT
Code number	105G6829
Code number compressor with oil cooler	105G6839

Application

Application	LBP	
Evaporating temperature range	°C	-35 to -10
Voltage range	V/Hz	187 - 254 /50
Motor type	RSIR ^{*)}	
Max. ambient temperature	°C	43
Comp. cooling at ambient temp.	32°C	S
	38°C	O/F ₁
	43°C	O/F ₁

^{*)} In capillary tube systems where non-equalized pressures may occur at compressor start, or in areas with short power supply drop-outs, a starting capacitor can be used for ensuring a successful start (CSIR).

Design

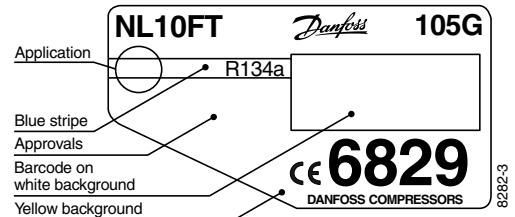
Displacement	cm ³	10.10
Oil quantity	cm ³	320
Maximum refrigerant charge	g	400
Free gas vol. in compressor	cm ³	2360
Weight without electrical equipment	kg	10.5

Motor

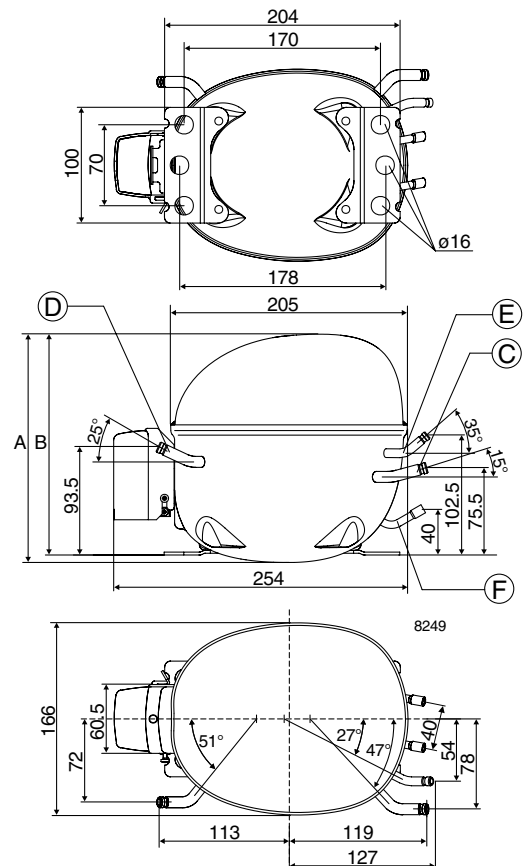
Motor size	watt	235
LRA (rated after 4 sec. UL984) LST/HST	A	9.2/10.4
Cut-in current LST/HST	A	13.6/10.4
Resistance, main and start winding (25°C)	Ω	8.2/14.7
Approvals	EN 60335-2-34, CCIB	

Dimensions

Height	mm	A	203
		B	197
Suction connector	location/I.D. mm	C	8.2 ±0.09
Process connector	location/I.D. mm	D	6.2 ±0.09
Discharge connector	location/I.D. mm	E	6.2 ±0.09
Oil cooler	location/I.D. mm	F	6.2 ±0.09
Compressors on a pallet	pcs.	80	



- S = Static cooling normally sufficient
- O = Oil cooling
- F₁ = Fan cooling 1.5 m/s
(compressor compartment temperature equal to ambient temperature)
- F₂ = Fan cooling 3.0 m/s necessary



Capacity (EN 12900/CECOMAF)

watt

Comp. \ °C	-35	-30	-25	-23.3	-20	-15	-10
NL10FT	113	158	213	235	281	361	455

Capacity (ASHRAE)

watt

Comp. \ °C	-35	-30	-25	-23.3	-20	-15	-10
NL10FT	138	194	262	289	345	445	561

Power consumption

watt

Comp. \ °C	-35	-30	-25	-23.3	-20	-15	-10
NL10FT	159	184	217	229	254	292	327

Current consumption

A

Comp. \ °C	-35	-30	-25	-23.3	-20	-15	-10
NL10FT	1.33	1.39	1.48	1.52	1.60	1.74	1.88

COP (EN 12900/CECOMAF)

W/W

Comp. \ °C	-35	-30	-25	-23.3	-20	-15	-10
NL10FT	0.71	0.85	0.98	1.02	1.10	1.24	1.39

COP (ASHRAE)

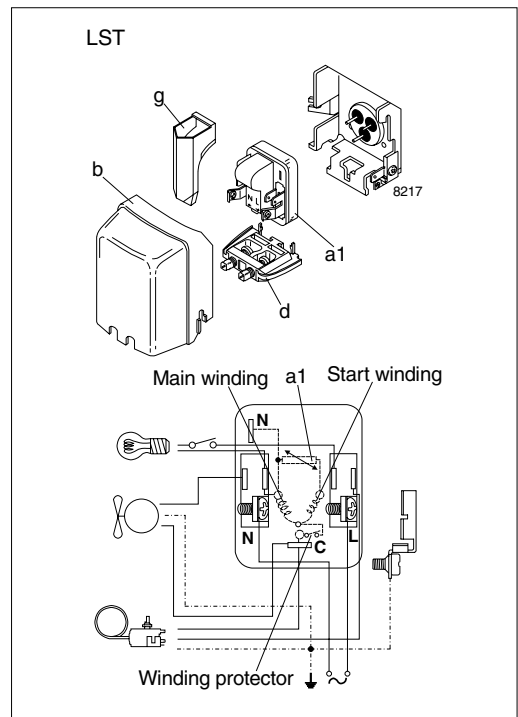
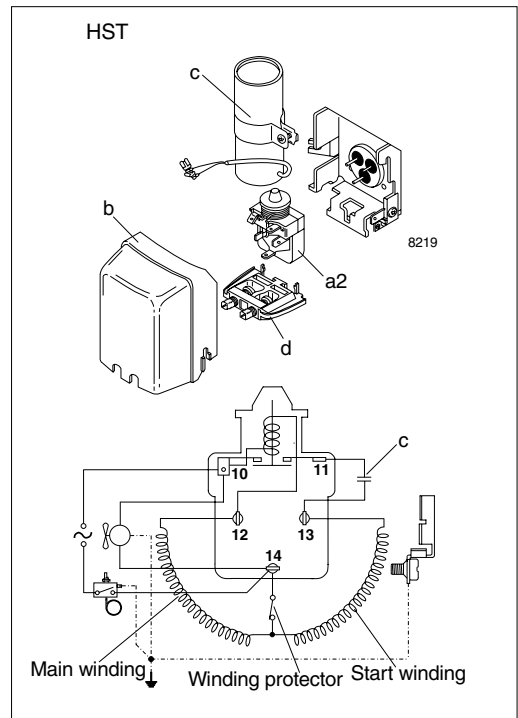
W/W

Comp. \ °C	-35	-30	-25	-23.3	-20	-15	-10
NL10FT	0.87	1.05	1.21	1.26	1.36	1.52	1.71

Test conditions	EN 12900/CECOMAF	ASHRAE
Condensing temperature	55°C	55°C
Ambient and suction gas temp.	32°C	32°C
Liquid temperature	55°C	32°C
Static cooling, 220V 50Hz,		
PTC consumption incl.		

Accessories

Devices	Fig.	NL10FT
PTC starting device	6.3 mm spades	103N0011
	4.8 mm spades	103N0018
Starting relay	a2	117U6002
Cover	b	103N2010
Starting capacitor 80 µF	c	117U5015
Cord relief	d	103N1010
Protection screen for PTC	g	103N0476
Mounting accessories		
Bolt joint for one compressor		118-1917
Bolt joint in quantities		118-1918
Snap-on in quantities		118-1919



Danfoss can accept no responsibility for possible errors in catalogues, brochures and other printed material. Danfoss reserves the right to alter its products without notice. This also applies to products already on order provided that such alterations can be made without subsequential changes being necessary in specifications already agreed. All trademarks in this material are property of the respective companies. Danfoss and the Danfoss logotype are trademarks of Danfoss A/S. All rights reserved.

